

**HEMP & NEMP Fine Protector - Surge Arrestor**  
**Special Electrical POE Protective Device per MIL-STD-188-125-1**

**Protection for**  
IRIG Time Codes  
TTL Signals  
dc - 100 MHz



**Features:**

- ✦ Sub-Nanosecond Response Time
- ✦ Frequency range: dc – 100MHz
- ✦ N Type Connectors
- ✦ 30A LEMP or 60A NEMP Protection
- ✦ Designed for MIL-STD 188-125-1, MIL-STD-461, & MIL-STD-464
- ✦ Excellent RF Performance
- ✦ Bi-Directional Protection

**RF Specifications**

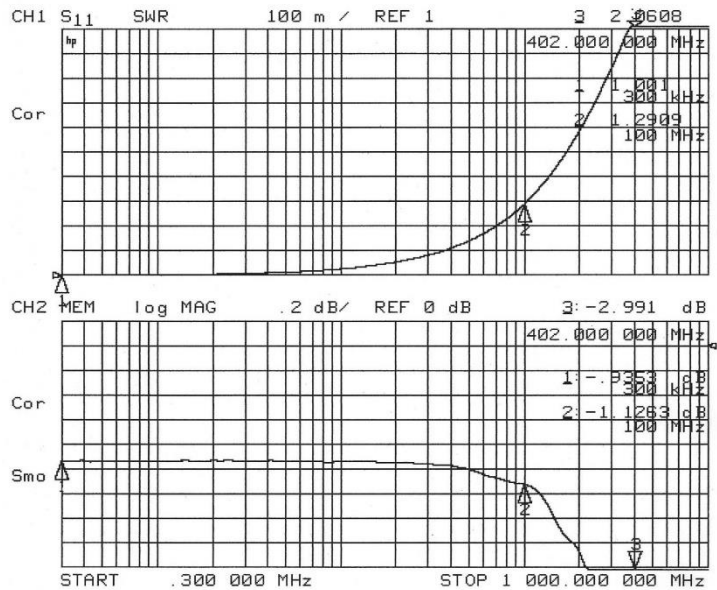
Frequency (MHz)	VSWR	Insertion Loss (dB)
dc - 100	1.10 typ	1.0 typ

- ✦ Nominal Impedance – 50Ω
- ✦ Through Current: 50mA
- ✦ RF Power: 100mW
- ✦ Voltage: Nominal +5V(+6.7Vpk )/-0.1V
- ✦ Low Insertion Loss Ripple

**Transient Specifications**

- ✦ Response Time: < 1ns
- ✦ Transient
  - 30A 10x (8X20μs waveform)
  - 60A 10x (20x500ns waveform)

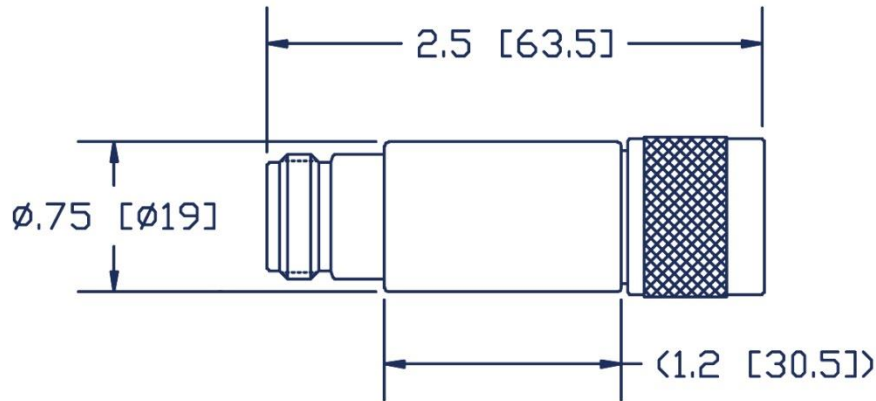
Let-Through Energy (10A Input)	
LEMP (8X20μs)	+8.0V / -1.0V
NEMP (20x500ns)	+10.0V / -3.0V



Typical VSWR and Insertion Loss

## Mechanical Specifications

Weight: 4.8 ounces [135 grams]



inches [mm]

## Material and Finish

Component	Material	Finish
Outer Parts	Brass	Nickel
Center Contact	BeCu	Gold
Insulator	PTFE	-
Gasket	EPDM or SIL	-

This product is an example of NexTek's ultra-high-speed NEMP/HEMP suppressor technology. This family of devices is available with a variety of clamping voltages, connector configurations, and protected/unprotected orientations. Please contact NexTek, Inc. with your requirements for help with choosing the proper protection.

## Environmental Specifications

Temperature Range	-40°C to +90°C
Salt Fog	MIL-STD-202 Method 101D / Condition B (35°C/48 hrs)
Immersion	MIL-STD-202 Method 104A / Condition A (65°C to 25°C w/NaCl – 2 cycles)
Moisture Resistance	MIL-STD-202 Method 106E (65°C/98% RH condensing/240 hrs)
Temperature Shock	MIL-STD-202 Method 107D / Condition B-1 (25 cycles -65°C to +125°C)
Life (Elevated Temperature)	MIL-STD-202 Method 108A / Condition A (96 hours at 100°C)
Dust and Waterproof Rating	IEC529 IP68 (dust-tight and water proof 24 hrs / 1 m)
Vibration	MIL-STD-202 Method 204D / Condition D (10Hz-2kHz 0.06"DA/20g)
Mechanical Shock	MIL-STD-202 Method 213 / Condition A (50g/11ms ~24")

*This specification is for reference only, and is subject to change without notice*