

PROPRIETARY THIS DRAWING AND DESIGNS DEPICTED ARE THE PROPERTY OF Nextek LLC. AND MAY NOT BE REPRODUCED, COPIED OR UTILIZED WITHOUT EXPRESS WRITTEN PERMISSION OF Nextek LLC. COPYRIGHT Nextek LLC.

REV	ECO	DESCRIPTION	DRAFT	DATE	APPROVED
E1	----	PROPOSAL	EJT	29 JUN 2021	CAP

DC SURGE PROTECTOR

LIGHTNING AND TRANSIENT SURGE PROTECTOR FOR
INDOOR OR OUTDOOR DC APPLICATIONS
POLE OR PANEL MOUNT

ELECTRICAL SPECIFICATIONS

PN	VDC	SERVICE VOLTAGE	BREAK DOWN VOLTAGE @1mA DC	CURRENT RATING
DCL-12-20-XUW-1	12V	18V	25V	20A
DCL-24-20-XUW-1	24V	31V	43V	
DCL-48-20-XUW-1	48V	65V	90V	
DCL-60-20-XUW-1	60V	85V	110V	

SURGE PROTECTION SPECIFICATIONS [MOV PROTECTION TECHNOLOGY, LN-RTN, LN-GND, RTN-GND]

PN	Vpl [8/20 us] @6kV, 3kA	1X SURGE CURRENT [8/20 us]	10X SURGE CURRENT [8/20 us]
DCL-12-20-XUW-1	250V	30kA	15kA
DCL-24-20-XUW-1	325V		
DCL-48-20-XUW-1	350V		
DCL-60-20-XUW-1	400V		

ENVIRONMENTAL SPECIFICATIONS

OPERATING TEMPERATURE	-30°C TO +85°C
STORAGE TEMPERATURE	-40°C TO +115°C
WEATHERIZATION	IP68 (WHEN CABLE ENTRANCE SEALED)
RELATIVE HUMIDITY	0 TO 100% CONDENSING

MECHANICAL SPECIFICATIONS

ENCLOSURE	UL94-5VA +UF(1)
CABLE GRIP SEALING TORQUE	25 TO 30 IN-LBS
CABLE DIAMETERS SUPPORTED	0.17" TO 0.45"
WIRE TERMINAL	2X 3-POS, 14-22AWG
GROUND NUT TORQUE	9 TO 11 IN-LBS
POLE MOUNT KIT COMPATIBLE	MK-0001

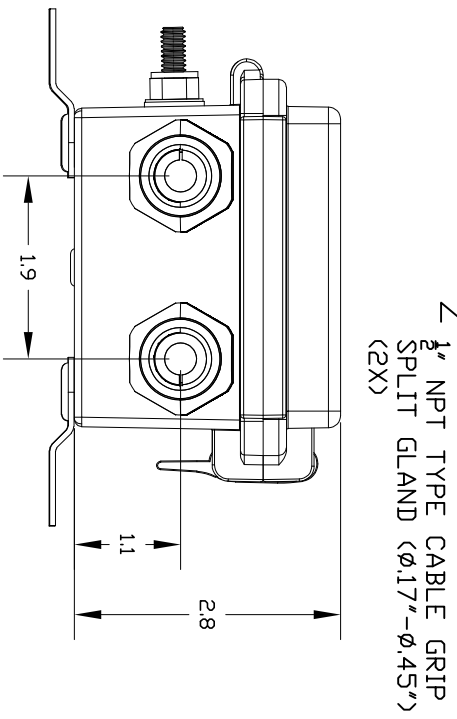
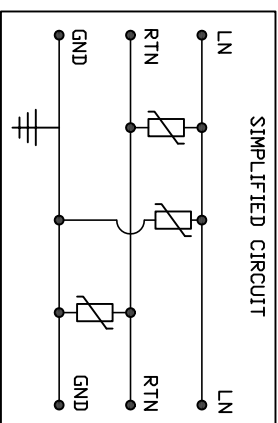
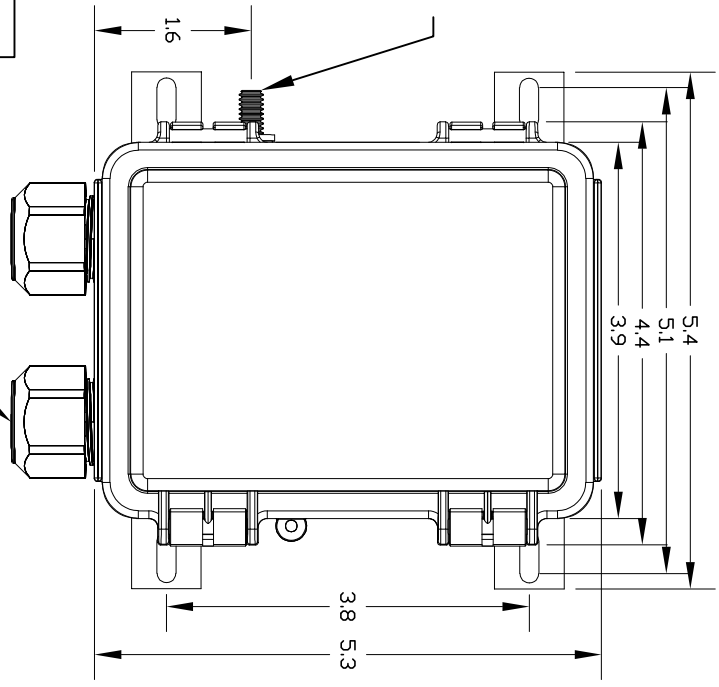
ROHS COMPLIANT

MATERIAL: WHITE POLYCARBONATE, NYLON

FINISH: NONE

Nextek LLC, Westford, Massachusetts 01886 www.nextek.com

GND: 1/4-20 BOLT



DRAWN: E. TONUCCI RELEASED: C.PENWELL	DATE: 29JUN2021	DO NOT SCALE	TITLE: OUTLINE & SPEC DCL XUW-1
THIRD ANGLE PROJECTION	MACH. SURFACES 63/1005TIR	DEBURR AND BREAK ALL SHARP EDGES	SIZE: A
	ACAD 2007 FILE: 785-0299 RE1	DIMENSIONS IN INCHES	DRAWING NO. 785-0299
		TOLERANCES .XX = ±.030 .XXX = ±.015 XXX = ±.005 X = ±.2	SCALE: 2=1 WT 11oz SHEET 1 OF 1
			REV: E1