

# PTC-NFF-S

Type N F/F Bulkhead Coaxial RF Surge Protector, DC - 3GHz, 40W, IP67, 60V Max., 500uJ, 20kA, Gas Discharge Tube

The PTC-NFF-S offers excellent surge / lightning suppression protection for DC Pass applications over an extended frequency band of operation, DC to 3 GHz. This Gas Discharge Tube (GDT) technology RF coaxial surge arrester is bi-directional in implementation and operation.

The PTC-NFF-S surge arrester demonstrates excellent RF characteristics while offering outstanding surge protection in a low weight and economical RF surge arrester with various application potential.

The RF Surge Protector Device is furnished with Aluminum L-Bracket & associated hardware and the Bulkhead Mount Kit (Ring Terminal, O-Ring, Washer and Hex Nut) included.



## Connectors:

- **PTC-NFF-S**

N-Female Connectors Surge and Protected Sides

## Features:

- Frequency: DC to 3GHz
- Ultra Compact and Mechanical Design
- Excellent RF Performance
- Multiple Strike Capability
- 20 kA (8x20  $\mu$ s) Surge Capability
- Rugged and Waterproof (IP67 rated)
- Bi-directional Protection

## Applications:

- Public Safety
- HAM Radio
- Distributed Antenna Systems
- 4G and 5G Communications Systems
- GPS systems
- Tower Mounted Amplifiers
- Wi-Fi
- Power Over Coax Applications

## RF Specifications:

Impedance	50 $\Omega$
Frequency	DC to 3 GHz
VSWR	DC - 3GHz @ $\leq 1.2:1$
Return Loss	DC - 3GHz @ $\geq 21$ dB
Insertion Loss	DC - 3GHz @ $\leq 0.25$ dB
RF Power	40 W
DC Current	10A Max
Operating Voltage	+/- 60 Vdc

## Transient Specifications:

Protection Circuit	GDT DC Pass
Surge Current	IEC 61000-4-5 8/20 $\mu$ s Waveform
Maximun Surge	20 kA (1x)
Multi-Strike	5 kA Multiple (10x)
Turn-on Voltage	150 Vdc $\pm 20\%$
Turn-on Time	4ns for 2kv/ns
Let-through Energy	$\leq 500\mu$ J $\pm 20\%$ @3kA 8/20 $\mu$ s Waveform
Hold Over Voltage	80 Vdc @ <150ms

# PTC-NFF-S

Type N F/F Bulkhead Coaxial RF Surge Protector, DC - 3GHz, 40W, IP67, 60V Max., 500uJ, 20kA, Gas Discharge Tube

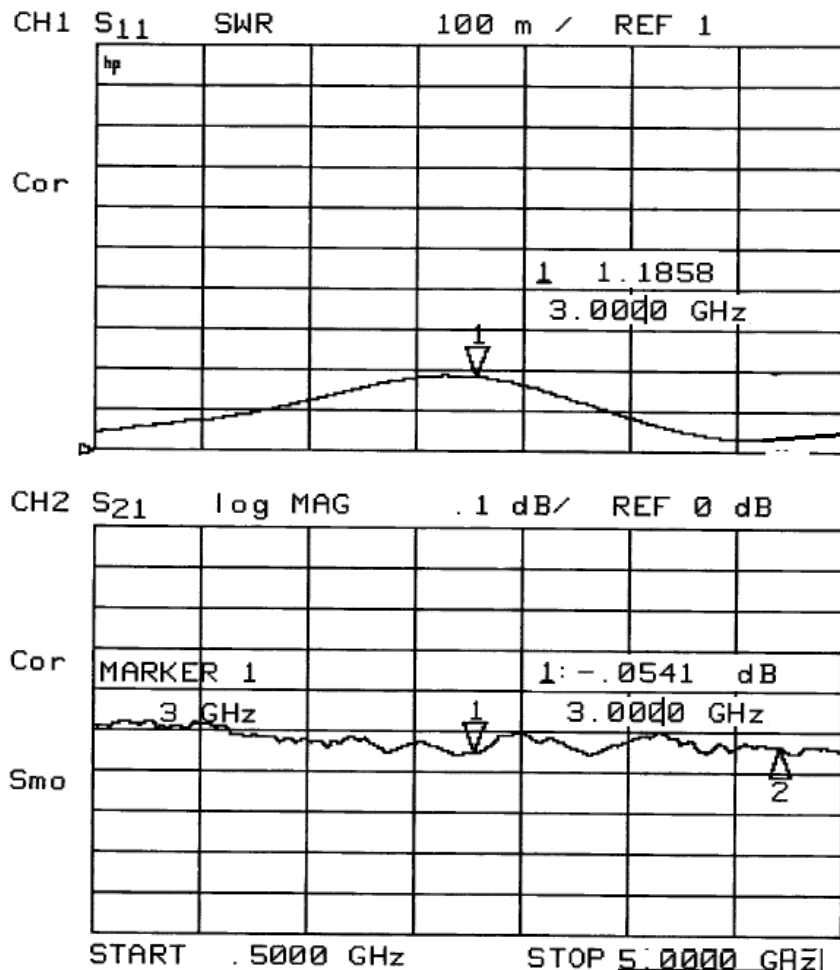
## Environmental Specifications:

Storage / Operational Temp	-55°C to +90°C
Ingress Protection Bellcore	IP67 IEC 60529 TA-NWT-000487
Weight	0.1 lb. (45 g)
RoHS Compliant	Yes
CE	Yes

## Material and Finish:

Body Material	Aluminum	---
Connectors	Aluminum	---
Coupling Nut & Washer	Stainless Steel	---
Center Contact	Phosphor Bronze	Bronze Finish
Insulator	PTFE	---

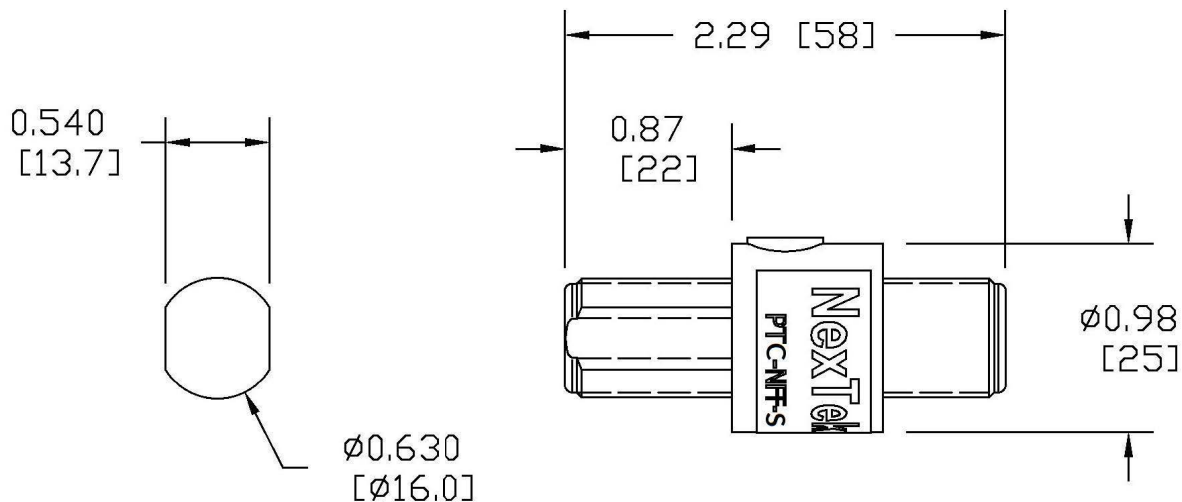
## Return Loss & Insertion Loss Graphs:



# PTC-NFF-S

Type N F/F Bulkhead Coaxial RF Surge Protector, DC - 3GHz,  
40W, IP67, 60V Max., 500uJ, 20kA, Gas Discharge Tube

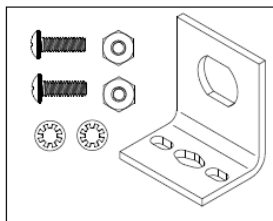
## Mechanical Drawings:



N-Female to N-Female Connectors

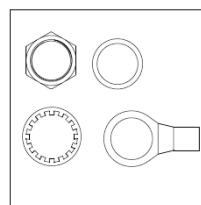
## Included Hardware with Surge Arrestor (Can be Purchased Separately, if Required):

- 750-0088-05



HARDWARE KIT INCLUDES:	
QTY	DESCRIPTION
1	BRACKET MOUNT N FLANGE
2	NUT HEX 8-32 18-8 SS
2	SCREW 8-32x.50 PHIL PAN SS
2	WASHER #8 410 SS INTERNAL

- GRDKIT-NFF



HARDWARE KIT INCLUDES:	
QTY	DESCRIPTION
1	HEX NUT 5/8-24 303 SS
1	WASHER 5/8 410 SS INTERNAL
1	O-RING AS568A-016 SIR
1	RING TERM 5/8" STUD 6AWG

# PTC-NFF-S

Type N F/F Bulkhead Coaxial RF Surge Protector, DC - 3GHz, 40W, IP67, 60V Max., 500uJ, 20kA, Gas Discharge Tube

## Who we are and what we do

Since 1986, NexTek is recognized as a World-Class leading supplier of innovative, high-quality coaxial RF surge protection devices (SPDs) that protect critical and sensitive electronic equipment from the harmful effects of lightning and other sources of electrical surges.

NexTek is a proven supplier with an extensive coaxial product offering covering a vast range from DC to 18 GHz. NexTek designs and manufactures these products from its Billerica, Massachusetts USA headquarters. All Nextek products feature field proven designs and construction of the highest quality. These RF surge protection devices are designed to withstand harsh environmental conditions. With hundreds of thousands of SPDs installed and operational on all seven (7) continents and in many space applications, NexTek has built an exceptional reputation for on-time quality and service.

NexTek is continually expanding its product offering, so please click the link below to our website for the latest news and product releases.

[www.nextek.com](http://www.nextek.com)