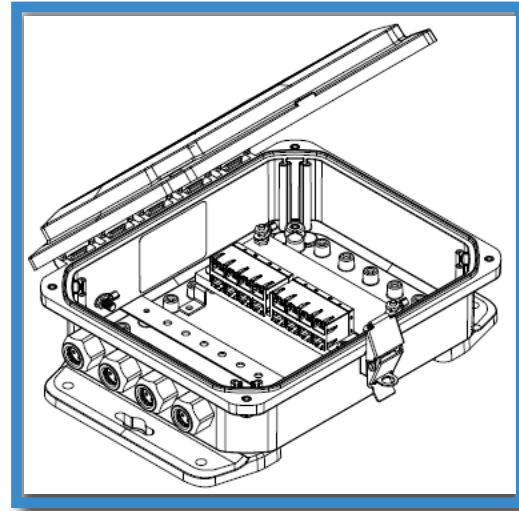


DLP-GBE-8PW

8 Port Weatherized Ethernet Surge Arrestor

DLP-GBE-8PW is an 8-port ethernet surge arrestor for indoor/outdoor use. This unit protects ethernet systems (switches, NVRs, POE hubs, midspans, injectors, VOIPs, POE devices). Typically used when there are ethernet cables exposed to surge or cables running outdoors. Supports IEEE, 802.3af (15.4W) 802.3at (30W), 802.Bt type 3 (60W), 802.3Bt type 4 (100W)



Features:

- Shielded RJ45 connectors
- Grey fiberglass housing board
- Polycarbonate resin (flame retardant & UV stabilized) external box
- CE & RoHS compliant

Applications:

- POE devices
- VOIPs

Similar Part Numbers

- DLP-GBE-4P
- DLP-GBE-4PW
- DLP-GBE-8P

Design Specifications:

Transfer Rate	10/100/1000 Base T ; 1G POE
Connectors	16x Shielded RJ45 ; Cat 5/5eUTP
Protection Mode	8 lines, bi-directional, all pins L-G
DC Operating Voltage	POE 60V DC Typ., 150W Max. Power
Grounding	1/4-20 ground stud for use of 10 AWG or 8 AWG ground wire
Surge Rating	10/1000us 150A each line
	8/20us 2kA each line
	8/20us 2kA per pair and shield to ground
Clamping Voltage	75V all pins to ground
Weight	2.08 lbs. (943g)
Operating Temperature	-40°C to +85°C
Humidity	95% condensing
Flame Rating	UL94 V-0 & UL746C 5VA

Environmental Ratings:

	Latch	Screw Close
NEMA Rating	1, 2, 3, 3R, 3RX, 3X, 4, 4X, 5, 12, 13	1, 2, 3, 3R, 3RX, 3S, 3SX, 3X, 4, 4X, 5, 6, 6P, 12, 13
IP Rating	IP65 & IP66	IP65, IP66, IP67, IP68

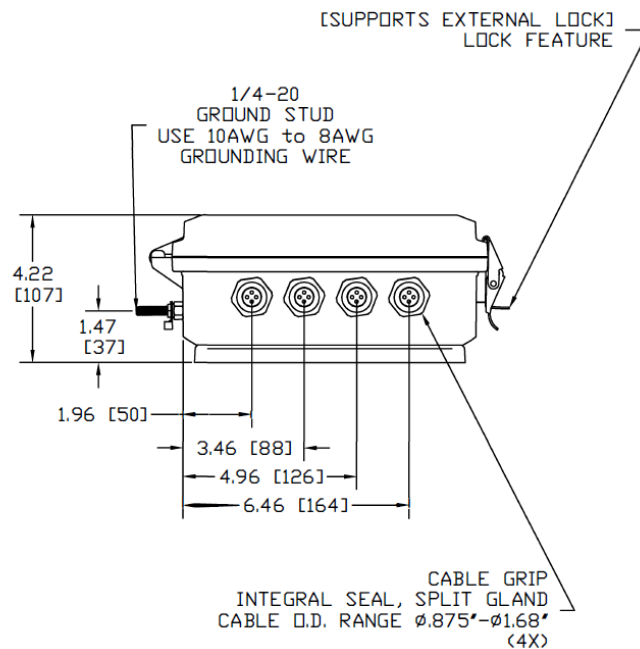
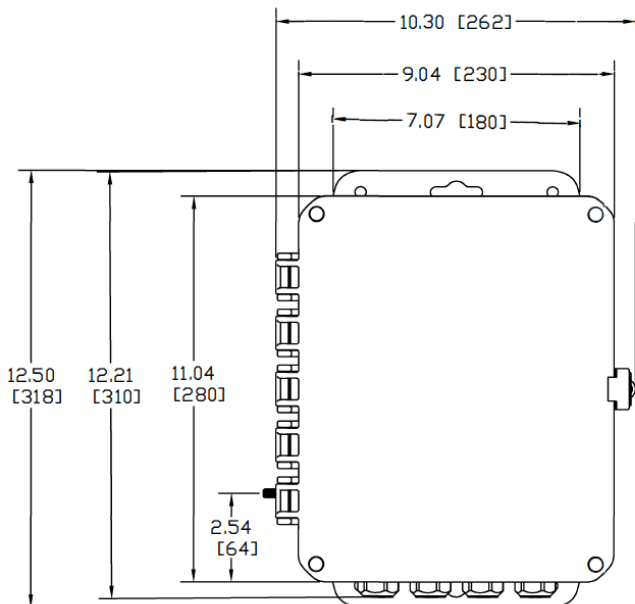
This specification is for reference only and is subject to change without notice.

©2023, All Rights Reserved.

DLP-GBE-8PW

8 Port Weatherized Ethernet Surge Arrestor

Outline Drawing:



HARDWARE KIT	
BOLTS & NUTS	
ZIPTIES	
LUG-RING TERMINALS	

This specification is for reference only and is subject to change without notice.

©2023, All Rights Reserved.