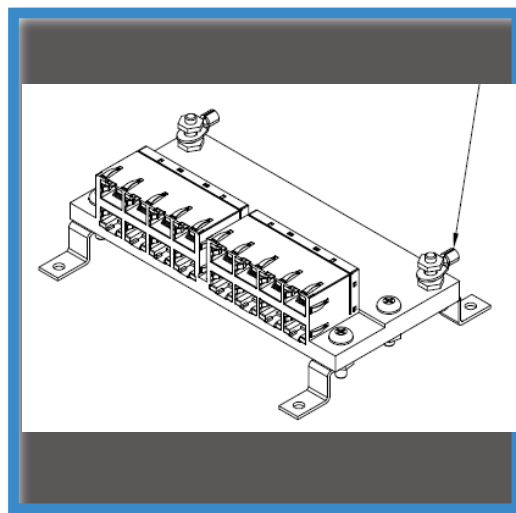


DLP-GBE-8P

8 Port Ethernet Surge Arrestor

DLP-GBE-8P is an 8-port ethernet surge arrestor. This unit protects ethernet systems (switches, NVRs, POE hubs, midspans, injectors, VOIPs, POE devices). Supports IEEE, 802.3af (15.4W) 802.3at (30W), 802.Bt type 3 (60W), 802.3Bt type 4 (100W)



Features:

- Fiberglass Housing
- Aluminum brackets
- CE & RoHS compliant

Design Specifications:

Transfer Rate	10/100/1000 Base T ; 1G POE
Connectors	16x Shielded RJ45 ; Cat 5/5eUTP
Protection Mode	8 lines, bi-directional, all pins L-G
DC Operating Voltage	POE 60V DC Typ., 150W Max. Power
Grounding	10 AWG ground wire lugs (2x) ; Redundant and dual grounding options
Surge Rating	10/1000us 150A each line
	8/20us 2kA each line
Clamping Voltage	75V all pins to ground
Weight	0.42 lbs. (188g)
Operating Temperature	-40°C to +85°C
Humidity	95% condensing

Applications:

- POE devices
- VOIPs

Similar Part Numbers

- DLP-GBE-4P
- DLP-GBE-4PW
- DLP-GBE-8PW

This specification is for reference only and is subject to change without notice.

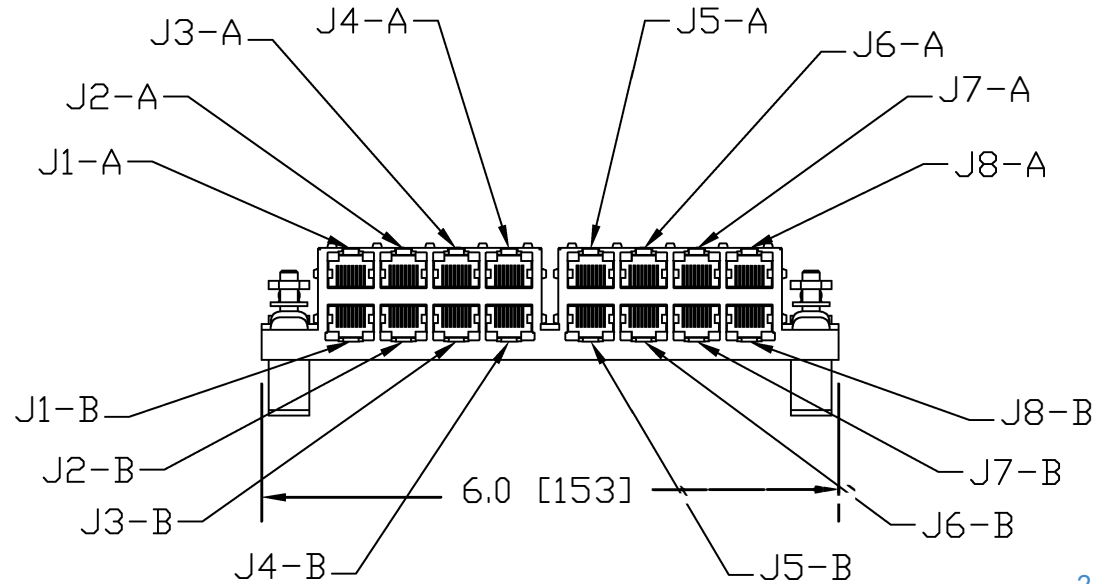
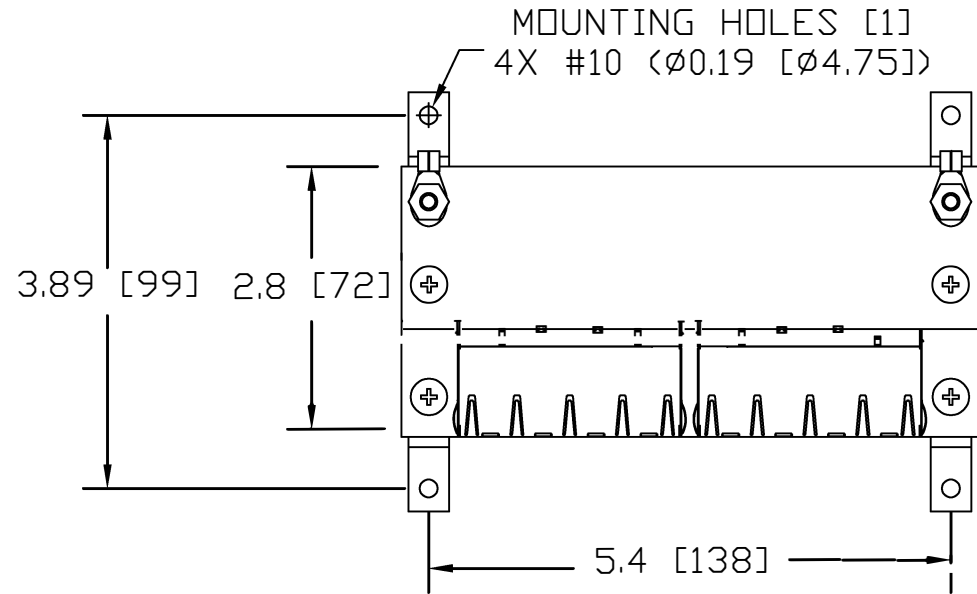
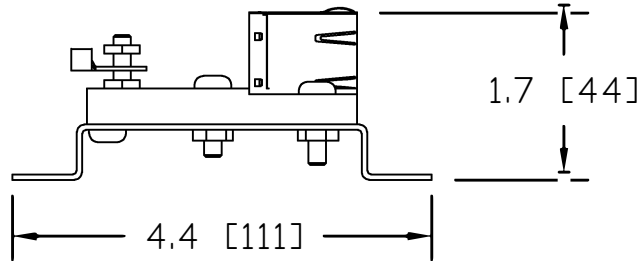
©2023, All Rights Reserved.

1

INSTALLATION NOTES:

- [1] MOUNTING BRACKETS CAN BE USED FOR GROUNDING IF ATTACHED TO A LOW IMPEDANCE GROUND PANEL
- [2] AT LEAST ONE GROUND IS REQUIRED; ADDITIONAL GROUND WIRE RECOMMENDED EVEN IF BRACKETS ARE USED FOR GROUNDING
- [3] MOUNTING HARDWARE NOT INCLUDED IN PRODUCT BOX
- [4] SURGE PROTECTION IS BI-DIRECTIONAL. URGE CABLE/EQUIPMENT CAN BE CONNECTED TO EITHER -A OR -B PORT. PART PAIRS NOTED AS FOLLOWS:

J1-A	J1-B
J2-A	J2-B
J3-A	J3-B
J4-A	J4-B
J5-A	J5-B
J6-A	J6-B
J7-A	J7-B
J8-A	J8-B



This specification is for reference only and is subject to change without notice.

©2023, All Rights Reserved.