

DLP-GBE-4P

4 Port Ethernet Surge Arrestor

DLP-GBE-4P is an 4-port ethernet surge arrestor. This unit protects ethernet systems (switches, NVRs, POE hubs, midspans, injectors, VOIPs, POE devices). Supports IEEE, 802.3af (15.4W) 802.3at (30W), 802.Bt type 3 (60W), 802.3Bt type 4 (100W)



Features:

- Fiberglass Housing
- Aluminum brackets
- CE & RoHS compliant

Applications:

- POE devices
- VOIPs

Similar Part Numbers

- DLP-GBE-4PW
- DLP-GBE-8P
- DLP-GBE-8PW

Design Specifications:

Transfer Rate	10/100/1000 Base T ; 1G POE
Connectors	8x Shielded RJ45 ; Cat 5/5eUTP
Protection Mode	4 lines, bi-directional, all pins L-G
DC Operating Voltage	POE 60V DC Typ., 150W Max. Power
Grounding	10 AWG ground wire lugs (2x) ; Redundant and dual grounding options
Surge Rating	10/1000us 150A each line
	8/20us 2kA each line
Clamping Voltage	8/20us 2kA per pair and shield to ground
Clamping Voltage	75V all pins to ground
Weight	0.42 lbs. (188g)
Operating Temperature	-40°C to +85°C
Humidity	95% condensing

This specification is for reference only and is subject to change without notice.

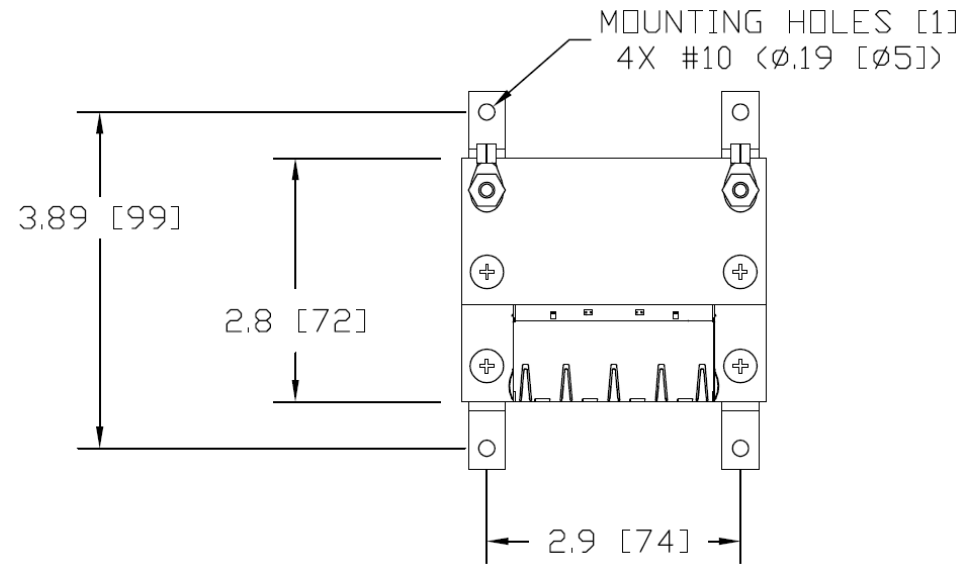
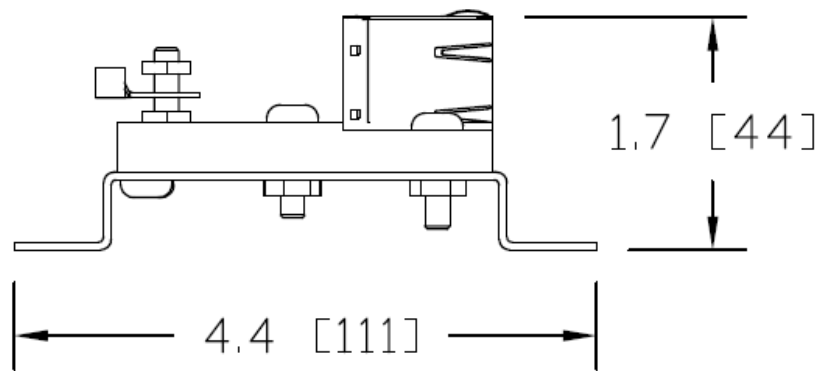
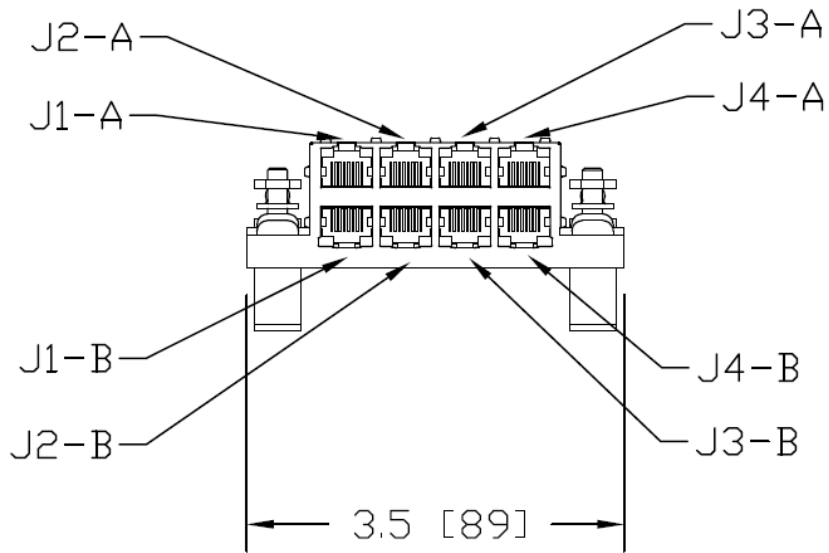
©2023, All Rights Reserved.

1

DLP-GBE-4P

4 Port Ethernet Surge Arrestor

Outline Drawing



Installation Notes:

1. Mounting brackets can be used for grounding if attached to a low impedance ground panel.
2. At least one ground is required; additional ground wire recommended even if brackets are used for grounding.
3. Mounting hardware not included in product box

This specification is for reference only and is subject to change without notice.

©2023, All Rights Reserved. 2