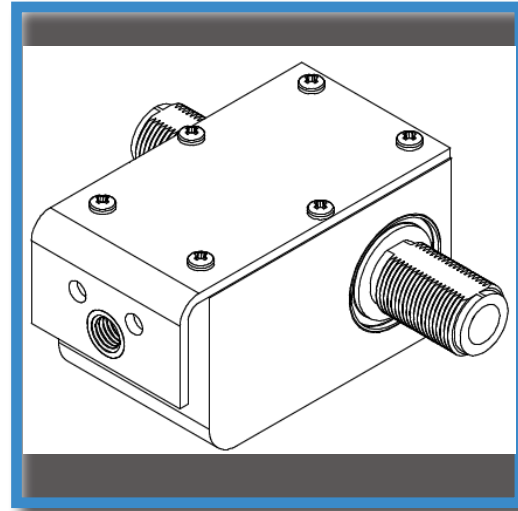


FPLNFNFAQ15-HP

700 - 1000MHz with 2.176MHz Pass Telemetry

Features:

- Pass
- Female Female Female Male N Connector options
- RoHS compliant
- Sealed
- Flange or Ulead Mount
- Stated
- Suitable for operation and storage temperature



Applications:

-
-
-
-
-

Similar Part Numbers:

-
-
-

RF Specifications	
Frequency Range	700 - 1000 MHz
VSWR	≤1.1:1 (over frequency range)
Insertion Loss	≤0.1dB (over frequency range)
RF Power	750W RMS
Pass Telemetry Signal	2.176MHz (IL≤0.4dB)

Transient Specifications	
Maximum Surge	20kA 1x (IEC 61000-4-5 8/20μs Waveform)
Rated Surge	10kA 10x (IEC 61000-4-5 8/20μs Waveform)
Turn-On Voltage	±16.5 Vdc
Turn-On Time	4ns for 2kV/ns
Let-Through Voltage	≤30Vdc ±20% (for 10kA, 8/20μs Waveform)
Let-Through Energy	≤500μJ ±20% (for 10kA, 8/20μs Waveform)

DC Characteristics	
Operation Voltage	±15.0Vdc
Operation Current	≤4.0A (Continuous)
DC Continuous Resistance	≤0.2Ω

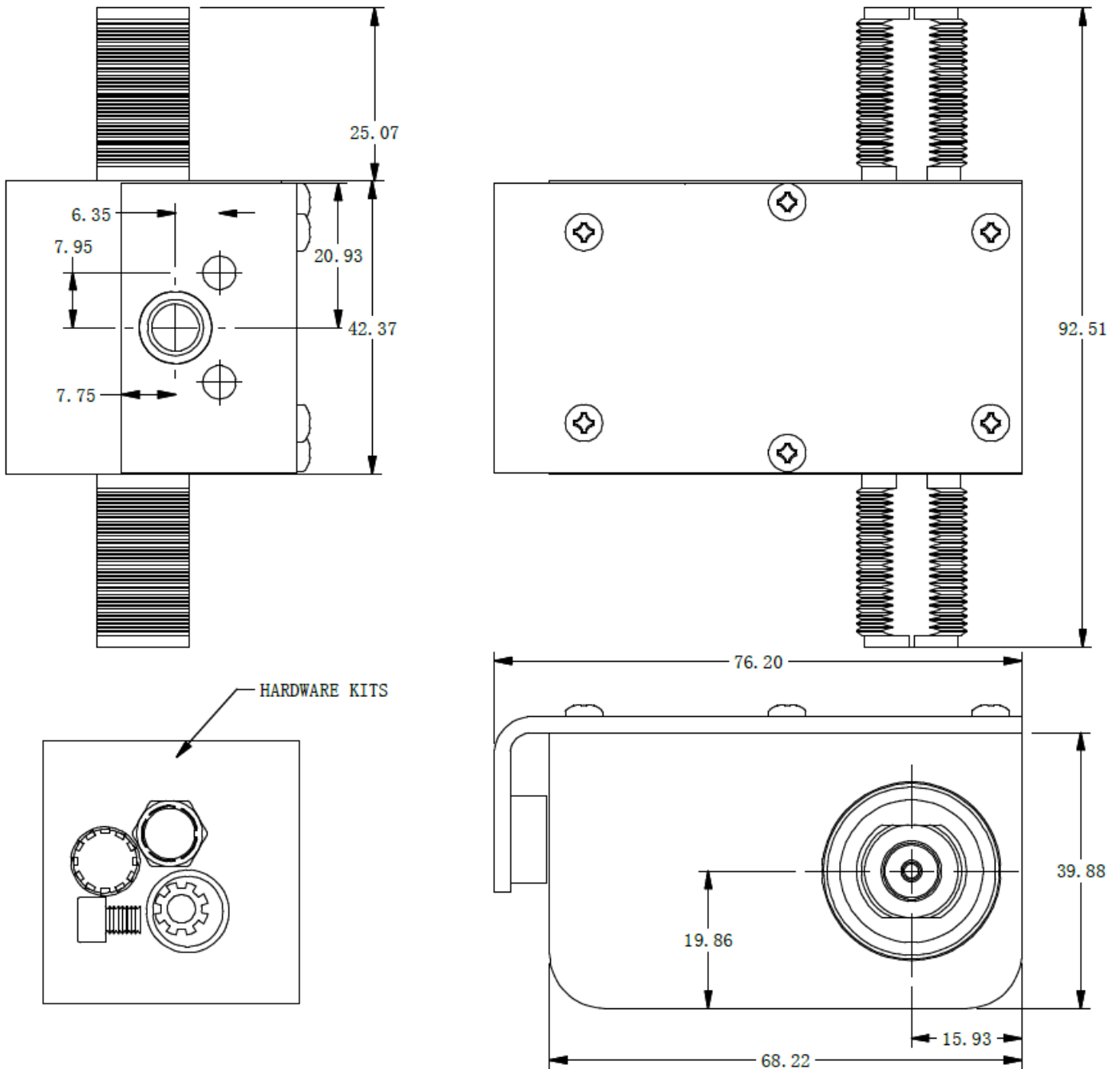
This specification is for reference only and is subject to change without notice.

©2023, All Rights Reserved.

FPLNFAQ15-HP

700 - 1000MHz with 2.176MHz Pass Telemetry

Outline Drawing & Hardware Kits:



This specification is for reference only and is subject to change without notice.

©2023, All Rights Reserved.