

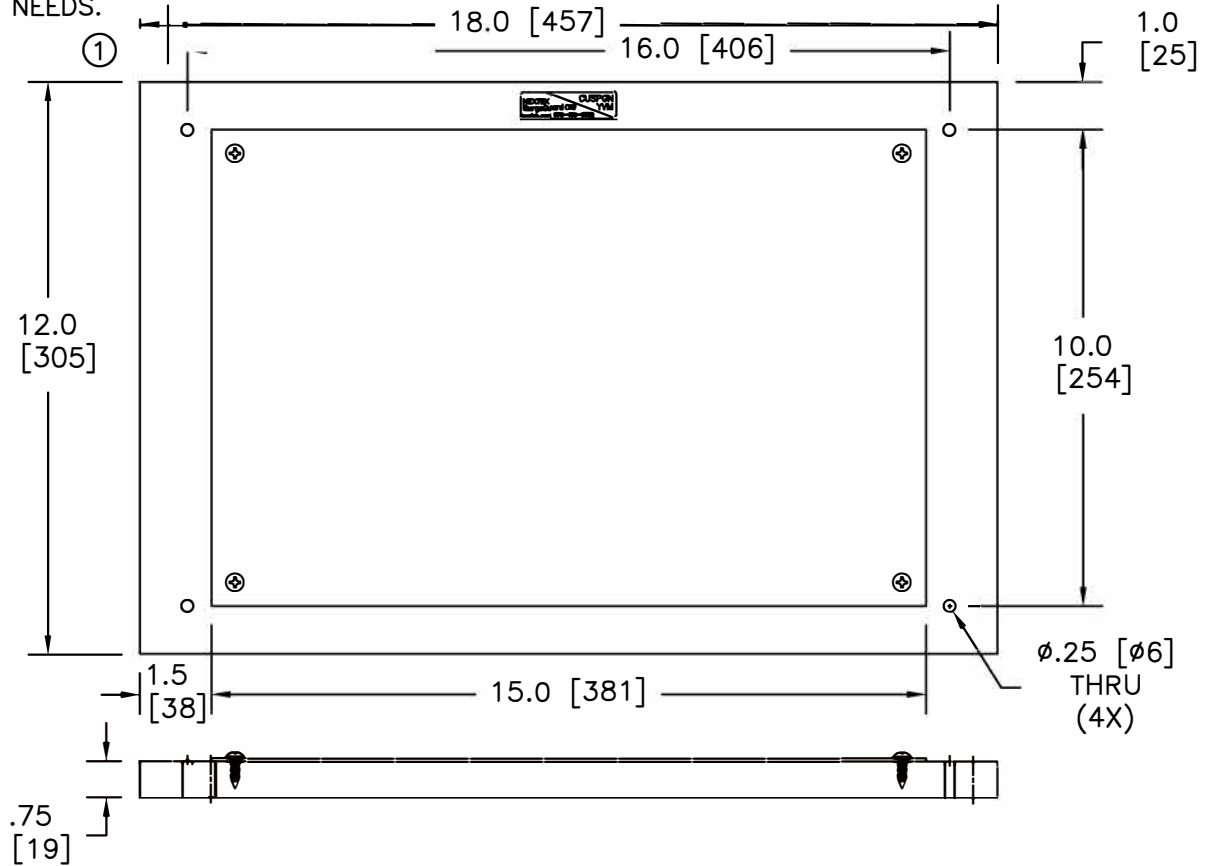
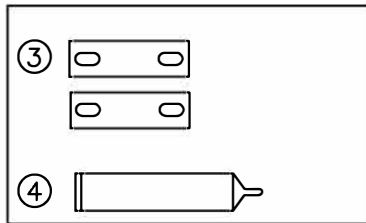
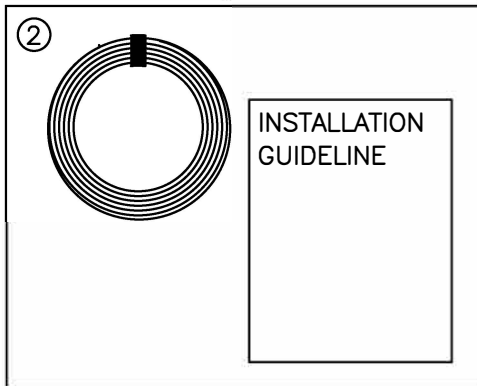
PROPRIETARY THIS DRAWING AND DESIGNS DEPICTED ARE THE PROPERTY OF NexTek Inc. AND MAY NOT BE REPRODUCED, COPIED OR UTILIZED WITHOUT EXPRESS WRITTEN PERMISSION OF NexTek Inc. COPYRIGHT NexTek Inc.

REV	ECO	DESCRIPTION	DRAFT	DATE	APPROVED
01	2840	ADD BOARD MATERIAL	SCP	13 SEPT 19	CP

ITEM	QTY	PART DESCRIPTION
1	1	3/4" PVC BOARD W/ COPPER FACE PLATE (ø.063")
2	1	20' 1-1/2" WIDE COPPER STRAP (.020")
3	2	COPPER SANDWICH PLATES
4	1	COPPER PASTE PACKAGE
5	14	#10 5/8" SHEET METAL SCREWS

CUSPGN SINGLE POINT GROUND KIT (12x18)

NexTek DOES NOT PROVIDE MOUNTING HARDWARE TO ATTACH CUSPGN TO ANY WALL, SHELTER, OR STRUCTURE.
USE APPROPRIATE HARDWARE FOR YOUR INSTALLATION NEEDS.



RoHS COMPLIANT

ORDER PART NO: CUSPGN

MATERIAL: SEE TABLE	DRAWN: S.PERKINS	DATE: 9 MAY 19	DO NOT SCALE	DEFAULT TOLERANCES .X=±.030 .XX=±.010 .XXX=±.005 X'=±2'	TITLE CUSPGN
FINISH: N/A	RELEASED: C.PENWELL	DATE: 9 SEPT 19	MACH. SURFACES 63 ●.005TIR DEBURR AND BREAK ALL SHARP EDGES	DI MENSIONS IN INCHES [MM]	SIZE A
NexTek LLC. North Billerica, Massachusetts 01862 www.nextek.com			THIRD ANGLE PROJECTION	ACAD 2000 FILE: 785-0217 R01	DRAWING NO. 785-0217
				NOT TO SCALE	REV 01
				WT ~	SHEET 1 OF 1