

# DLP-GBE-BUW

## Outdoor Lightning / Transient Surge Protector for IEEE 802.3at Gigabit Ethernet

The NexTek IEEE 802.3at device is designed to protect sensitive end points from lightning damage that may couple onto the CAT5/6 data cables typically used in many wireless applications. Lightning energy that is coupled onto the cable lines whether in common or differential modes is safely diverted to ground by using transient protection circuitry within the protection device. The device is normally a passive device and only becomes operational under excessive transient conditions.



### Features:

- Multiple strike capability
- Weatherized IP68 enclosure
- Polycarbonate housing
- Rugged and lightweight design
- Surge protection on all lines
- Ease of access - hinged design
- RoHS Compliant
- Pole or panel mount
- DC pass through

### Applications:

- Remote radio heads, RRH
- PoE equipment
- Telco backhaul
- Wireless IP security cameras
- Internet service providers, ISPs
- Point-to-point radios
- Enterprise networks
- Wireless LAN access points and bridge

### Electrical Specifications:

Connectors	RJ45 jack, shielded
Impedance	100 $\Omega$ nominal
DC Resistance	8 $\Omega$
Data Rate	1000 Mbps, 1000 Base-T per IEEE 802.3at
Data Test Method	RFC2544
Protected Pin Pairs	(1-2), (3-6), (4-5), (7-8)
Protected Pin to Chassis Ground	All pins

### Maximum Surge Current:

One Time Discharge	300A, 10/100 $\mu$ S waveform, telcordia GR-1089
	5kA, 8/20 $\mu$ S waveform per IEC 61000-4-5
Repetitive Discharge	100A, 10/1000 $\mu$ S per telcordia GR-1089
(10 Cycles)	3kA, 8/20 $\mu$ S per IEC 61000-4-5

### Surge Let-Through Voltage:

@100A, 10/1000 $\mu$ S	Line-line <100V peak
	Line-ground <50V peak for @3kA, 10/1000 $\mu$ S
@ 3kA, 8/20 $\mu$ S	Line-line <100V peak
	Line-ground <50V peak for @3kA, 8/20 $\mu$ S

This specification is for reference only, and is subject to change without notice

# DLP-GBE-BUW

## Indoor Lightning / Transient Surge Protector for IEEE 802.3at Gigabit Ethernet

### Mechanical:

Weight	11 oz.
Mounting	Pole or Panel
Cable Grip	Cable O.D range: 0.45" to 0.70"
	Sealing nut torque 25-30 in-lb
	Grounding nut torque: 20-25 in-lb

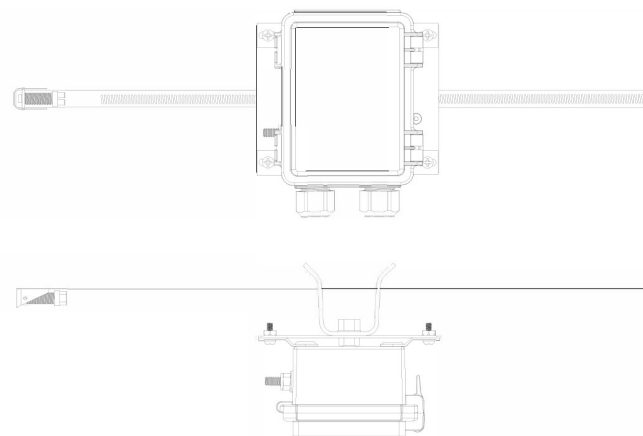
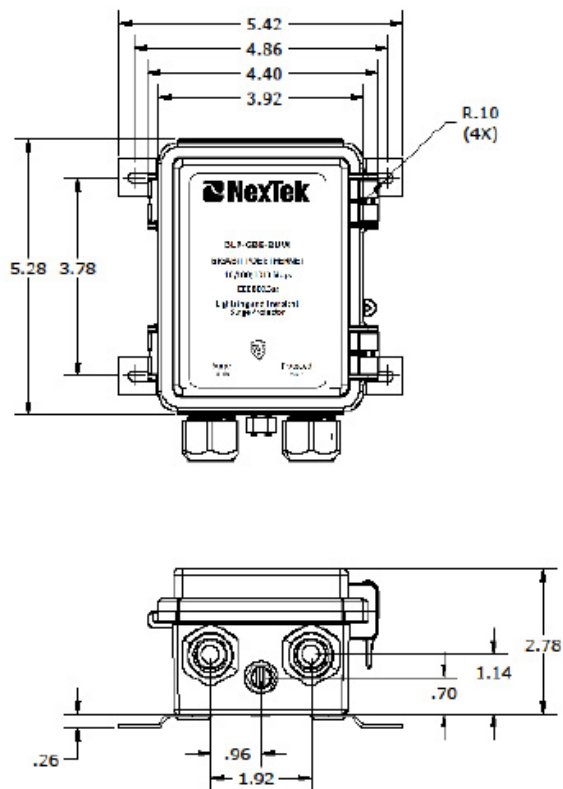
### Regulatory:

RoHS	Compliant
NEBS Level 3	Compliant

### Environmental:

Ingress Protection (IP) Rating	IP68 Rated
Operating Temperature	-40 to +65° C
Relative Humidity	0 to 100% condensing

### Outline Drawing:



This specification is for reference only, and is subject to change without notice