

CABLE ENTRANCE FITTING
 SIZE CG-32 SHOWN
 ACCEPTS ϕ .170 TO ϕ .450
 (SEE TABLE 1 FOR
 OPTIONAL CABLE DIAMETERS)

MAXIMUM CHARACTERISTICS

APPLICATION:

MULTI-STAGE SURGE PROTECTOR SPECIFICALLY DESIGNED
 FOR SINGLE PAIR DC POWER DISTRIBUTION SYSTEMS
 INSERTABLE/SERIES CIRCUIT

ELECTRICAL SPECIFICATIONS:

SERVICE VOLTAGE: 24VDC
 MAXIMUM CONTINUOUS CURRENT: 15A (25A COMPONENT RATING)
 SERVICE TYPE: 1 PAIR (L1/L2 NON-POLARIZED)
 CONNECTION TYPE: STRIPPED WIRE INSERTION/SCREW TERMINAL
 WIRE GAUGE RANGE: 12AWG/24AWG
 INTERNAL TERMINAL STRIP DESIGNATIONS: L1 - GND - L2
 (GND TIED TO CHASSIS)

SURGE PROTECTION PERFORMANCE:

SURGE PROTECTION TECHNOLOGY: SASD/MOV - MULTI-STAGE
 PROTECTION MODE: L1 TO L2 AND EACH LINE TO GND
 TURN-ON: 39Vpk \pm 10%
 COMPONENT RESPONSE TIME: <1ns
 SURGE CURRENT MAX: 10kA IEC 61000-4-5 8us/20us WAVEFORM
 1kA IEC 61000-4-5 10us/350us WAVEFORM

THROUGHPUT RESULTS: @ 3kA 8us/20us SURGE:

105Vpk (L1-L2)
 125Vpk (L1-GND, L2-GND)

ENVIRONMENTAL RATINGS:

EXPOSED MATERIALS:

ENCLOSURE/LID: DIECAST ALUMINUM

WIRE PORT FITTINGS: NYLON 6/6

FASTENERS: STAINLESS STEEL

TEMPERATURE RANGE OPERATING/STORAGE: -40° to +65°/+125°

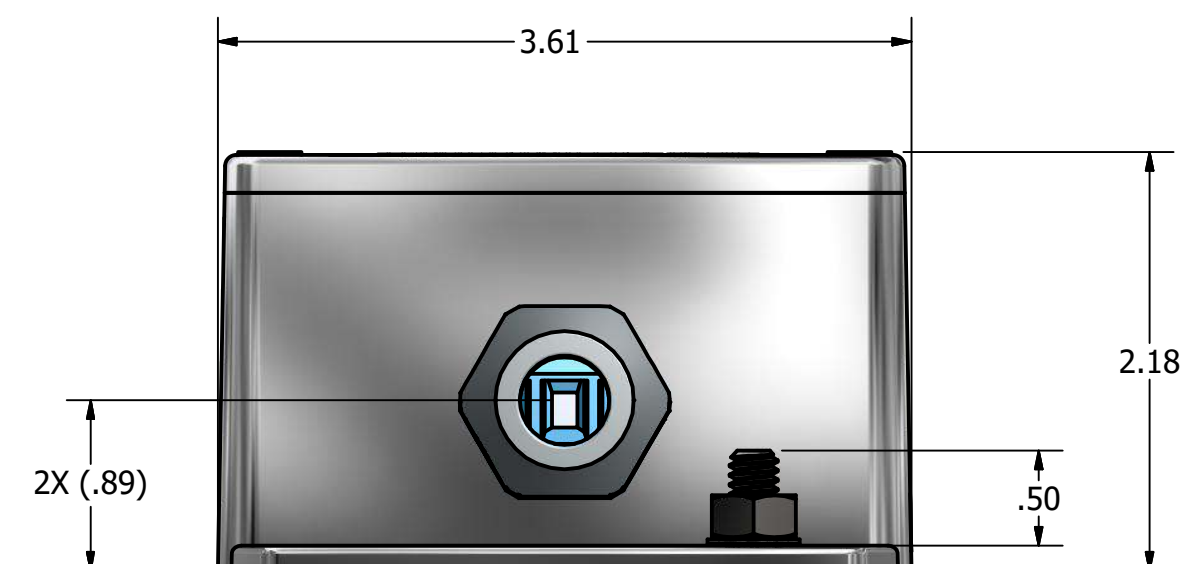
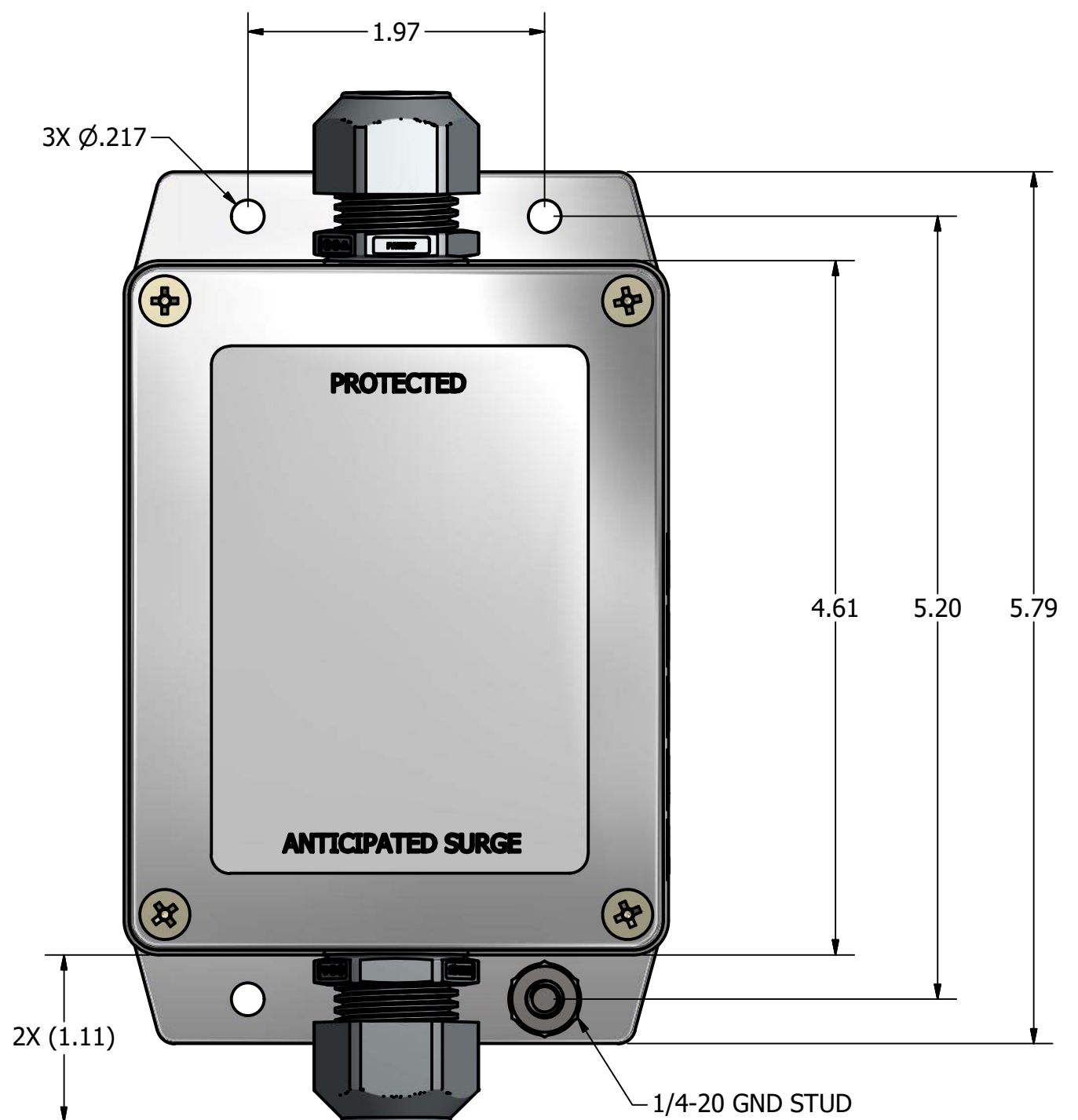
IEC 60529 IP68 ENCLOSURE AND WIRE PORTS

BELLCORE #TA-NWT-000487 PROCEDURE 4.11

RoHS COMPLIANT

TABLE 1 FITTING OPTIONS	
PART DESIG	CABLE SIZE RANGE
CG-30	0.115-0.250
CG-31	0.105-0.315
CG-32	0.170-0.450
CG-33	0.435-0.705
CG-34	0.590-1.000
CG-35	0.865-1.260

HARDWARE KIT PARTS LIST			
ITEM	QTY	PART NUMBER	DESCRIPTION
1	3	91400A829_MIL SPEC PAN HEAD PHILLIPS MACHINE SCREW 10-32x.5	
2	3	91757A107_TYPE 18-8 SS INTERNAL-TOOTH LOCK WASHER #10	
3	3	91841A195_TYPE 18-8 STAINLESS STEEL HEX NUT 10-32	



DRAWN jjjamf	6/21/2020	TITLE PRELIMINARY			
CHECKED				DCL-24-HUW PROTECTOR 24VDC-15ADC	
QA				SIZE C	REV E1
MFG		DWG NO DCL-24-HUW Customer			
APPROVED		SCALE	SHEET 1 OF 1		