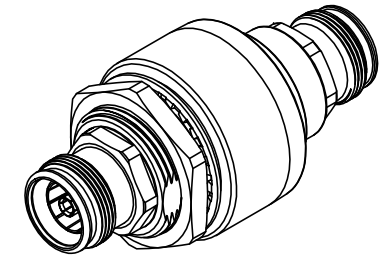


PROPRIETARY THIS DRAWING AND DESIGNS DEPICTED ARE THE PROPERTY OF NexTek LLC AND MAY NOT BE REPRODUCED, COPIED OR UTILIZED WITHOUT EXPRESS WRITTEN PERMISSION OF NexTek LLC. COPYRIGHT NexTek LLC.

REV	ECO	DESCRIPTION	DRAFT	DATE	APPROVED
E2	TBD	PRELIMINARY	SCP	16 APR 21	GMK

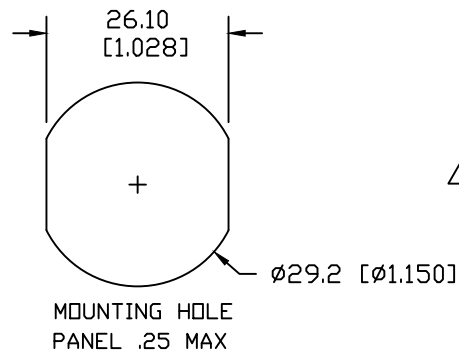
### QSS 4.3-10 FEMALE

# QSS4F4FBJ00



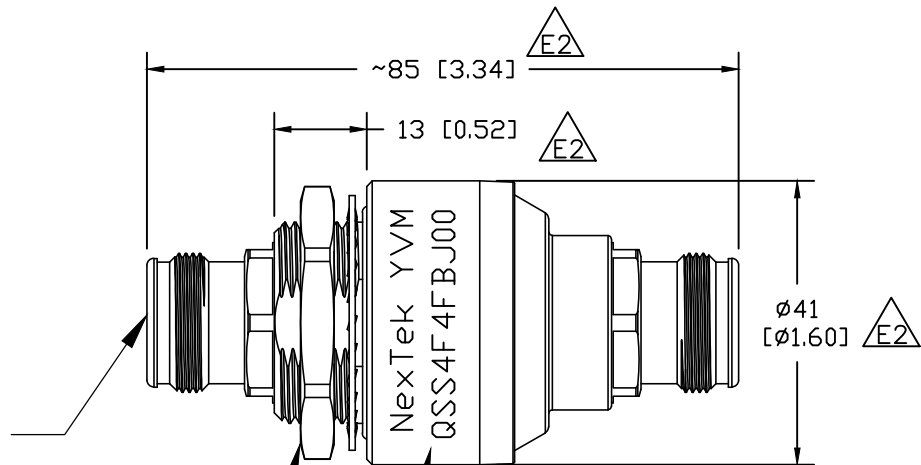
DESIGN SPECIFICATIONS	
FREQUENCY	3200MHz to 4200MHz
INSERTION LOSS	≤ 0.20dB
VSWR	≤ 1.2 : 1
RF POWER (cw)	275W
TRANSIENT	In 25kA (10X)
8X20us PULSES	Imax 30kA (1X)
LET THROUGH (INPUT: 4kV/2kA PER IEC61000-4-5)	10Vpk / 10uJ
TEMPERATURE	-40°C TO +90°C
TEMP SHOCK	-65°C TO +125°C 25X
DUST/WATER PROOF <sup>1</sup>	IEC529 IP68 24HR/1M
MOISTURE RESISTANCE	65°C / 98%RH 240HR
SALT FOG <sup>1</sup>	35°C 5%NaCl 96HRS
VIBRATION	10Hz-2kHz 0.06"DA/20g
MECHANICAL SHOCK	50g/11ms ~24"
IMMERSION <sup>1</sup>	65°C to 25°C w/NaCl 2X
WEIGHT	~0.40kg TYP
MOUNTING TORQUE	50 FT-LBS

1. SALT FOG AND WATER PROOF TESTS MATED WITH SEALED CONNECTOR



4.3-10 FEMALE  
CONNECTOR (2X)

M35 HEX PANEL NUT  
INTERNAL TOOTH LOCKWASHER  
O-RING



LABEL TO READ:  
NexTek YVM\*  
QSS4F4FBJ00  
(\*YVM - NEXTEK DATE CODE)

MATERIALS/ FINISHES:  
HOUSING & PANEL NUT: BRASS/ WHITE BRONZE  
LOCKWASHER: 400 SERIES SS/ PASSIVATED  
CONTACT: BeCu/ WHITE BRONZE  
INSULATOR: PTFE  
GASKETS: SI RUBBER

DRAWN:  
S.PERKINS  
RELEASED:  
G.KAUFFMAN

DATE:  
2/11/21  
DATE:  
TBD

DO NOT SCALE  
MACH. SURFACES <sup>63</sup>  
● .005TIR  
DEBURR AND BREAK  
ALL SHARP EDGES  
ACAD 2015 FILE:  
785-0278 E2

DEFAULT  
TOLERANCES  
X=±2  
.X=±.5  
.XX=±.10  
X'=±5'

DIMENSIONS IN  
MM [INCHES]

TITLE  
OUTLINE DRAWING  
QSS4F4FBJ00

SIZE DRAWING NO. REV  
A 785-0278 E2

SCALE: 2=1 WT 2.34oz SHEET 1 OF 1