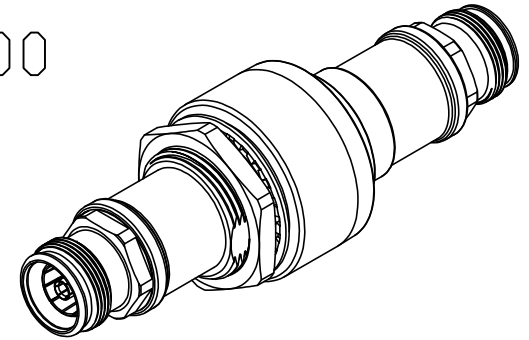


PROPRIETARY THIS DRAWING AND DESIGNS DEPICTED ARE THE PROPERTY OF NexTek LLC AND MAY NOT BE REPRODUCED, COPIED OR UTILIZED WITHOUT EXPRESS WRITTEN PERMISSION OF NexTek LLC. COPYRIGHT NexTek LLC.

REV	ECO	DESCRIPTION	DRAFT	DATE	APPROVED
E2	TBD	PRELIMINARY	SCP	16 APR 21	GMK

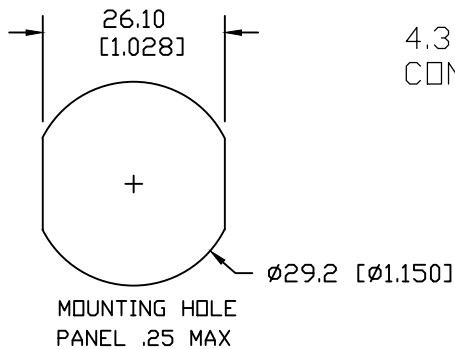
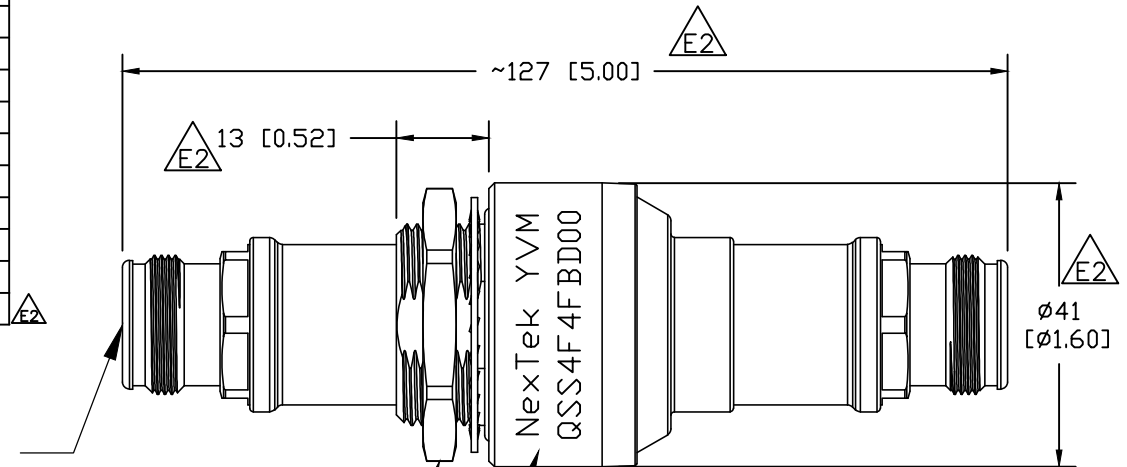
### QSS 4.3-10 FEMALE

# QSS4F4FBD00



DESIGN SPECIFICATIONS	
FREQUENCY	600MHz to 700MHz
INSERTION LOSS	≤ 0.20dB
VSWR	≤ 1.2 : 1
RF POWER (cw)	675W
TRANSIENT	In 25kA (10X)
8X20us PULSES	I <sub>max</sub> 30kA (1X)
LET THROUGH (INPUT: 4kV/2kA PER IEC61000-4-5)	25Vpk/ 55uJ
TEMPERATURE	-40°C TO +90°C
TEMP SHOCK	-65°C TO +125°C 25X
DUST/WATER PROOF <sup>1</sup>	IEC529 IP68 24HR/1M
MOISTURE RESISTANCE	65°C / 98%RH 240HR
SALT FOG <sup>1</sup>	35°C 5%NaCl 96HRS
VIBRATION	10Hz-2kHz 0.06"DA/20g
MECHANICAL SHOCK	50g/11ms ~24"
IMMERSION <sup>1</sup>	65°C to 25°C w/NaCl 2X
WEIGHT	~0.56kg TYP
MOUNTING TORQUE	50 FT-LBS

1. SALT FOG AND WATER PROOF TESTS MATED WITH SEALED CONNECTOR



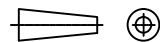
4.3-10 FEMALE CONNECTOR (2X)

M35 HEX PANEL NUT  
INTERNAL TOOTH LOCKWASHER  
O-RING

LABEL TO READ:  
NexTek YVM\*  
QSS4F4FBD00  
(\*YVM - NEXTEK DATE CODE)

MATERIALS/ FINISHES: HOUSING & PANEL NUT: BRASS/ WHITE BRONZE  
LOCKWASHER: 400 SERIES SS/ PASSIVATED  
CONTACT: BeCu/ WHITE BRONZE  
INSULATOR: PTFE  
GASKETS: SI RUBBER

DRAWN: S.PERKINS  
RELEASED: G.KAUFFMAN  
DATE: 2/11/21  
DATE: TBD  
THIRD ANGLE PROJECTION



DO NOT SCALE  
MACH. SURFACES <sup>63</sup>  
● .005TIR  
DEBURR AND BREAK ALL SHARP EDGES  
ACAD 2015 FILE:  
785-0277 E2

DEFAULT TOLERANCES  
X=±2  
.X=±.5  
.XX=±.10  
X'=±5'  
DIMENSIONS IN MM [INCHES]

TITLE: OUTLINE DRAWING QSS4F4FBD00		REV
SIZE	DRAWING NO.	E2
A	785-0277	
SCALE: 1=1	WT ~	SHEET 1 OF 1