

### Gas Discharge Tube Lightning Arrestor with N-type connectors



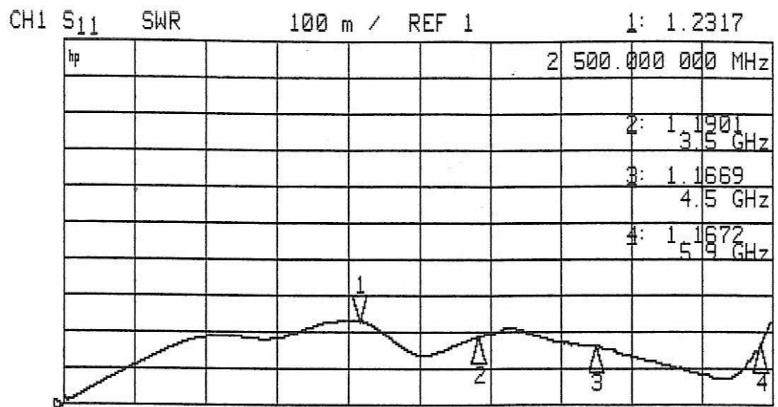
#### Features:

- ✦ Frequency: DC to 6GHz
- ✦ Ultra-Compact Design
- ✦ Excellent RF Performance
- ✦ Multiple Strike Capability
- ✦ 20 kA (8x20 $\mu$ s) Surge Capability
- ✦ Rugged and Waterproof
- ✦ Bi-directional Protection

#### RF Specifications

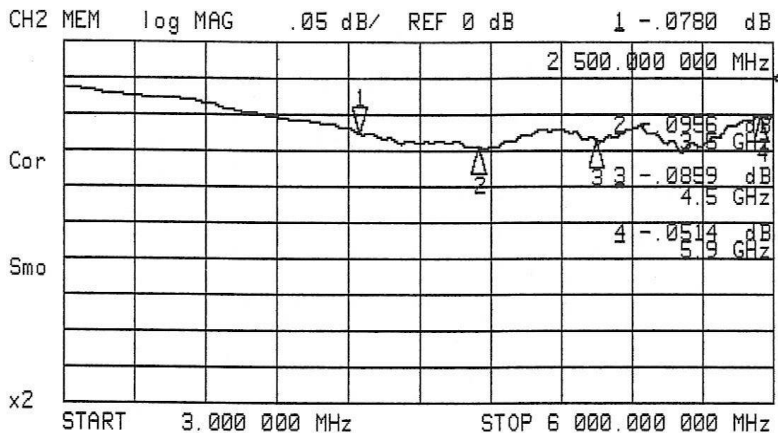
| Frequency | VSWR                 | Insertion Loss (dB) |
|-----------|----------------------|---------------------|
| dc – 6GHz | 1.30 typ<br>1.45 max | .25 typ<br>.35 max  |

- ✦ Nominal Impedance – 50 $\Omega$
- ✦ Through Current: 10A Max
- ✦ RF Power: 350 W max

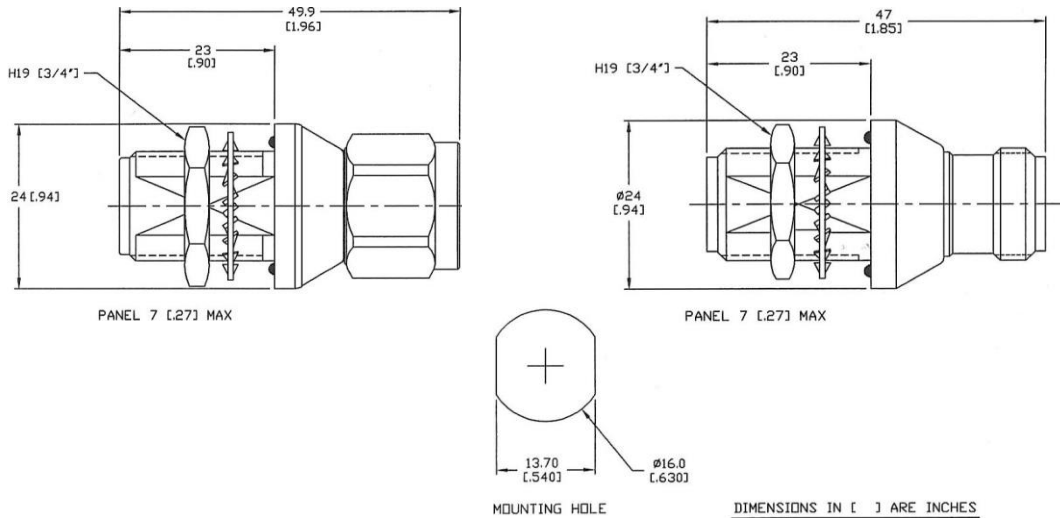


#### Transient Specifications

- ✦ Gas Discharge Tube 350V rated
- ✦ Maximum Transient: 20kA (8x20 $\mu$ s)
- ✦ Multiple Strike: 5kA 10 times
- ✦ Let-through: 1000Vpk/ 700  $\mu$ J  
(Input 4kV 1.2x50 $\mu$ s / 2kA 8x20 $\mu$ s)



### Mechanical Specifications



Weight: 2 ounces (50g) typical

### Environmental Specifications

|                                    |  |
|------------------------------------|--|
| <b>Temperature Range</b>           | -40°C to +90°C   |
| <b>Salt Fog</b>                    | MIL-STD-202 Method 101D / Condition B (35°C/96 hrs)                    |
| <b>Immersion</b>                   | MIL-STD-202 Method 104A / Condition A (65°C to 25°C w/NaCl – 2 cycles) |
| <b>Moisture Resistance</b>         | MIL-STD-202 Method 106E (65 °C/98% RH condensing/240 hrs)              |
| <b>Temperature Shock</b>           | MIL-STD-202 Method 107D / Condition B-1 (25 cycles -65°C to +125°C)    |
| <b>Life (Elevated Temperature)</b> | MIL-STD-202 Method 108A / Condition A (96 hours at 100°C)              |
| <b>Dust and Waterproof Rating</b>  | IEC529 IP68 (dust-tight and water proof 24 hrs / 1 m)                  |
| <b>Vibration</b>                   | MIL-STD-202 Method 204D / Condition D (10Hz-2kHz 0.06"DA/20g)          |
| <b>Mechanical Shock</b>            | MIL-STD-202 Method 213 / Condition A (50g/11ms ~24")                   |

### Material and Finish

| Component      | Material  | Finish |
|----------------|-----------|--------|
| Outer Parts    | Brass     | Nickel |
| Center Contact | BeCu      | Gold   |
| Insulator      | PTFE      |        |
| Gasket         | Si Rubber |        |

**Part Number:** PTCONxONF35E

Connector types, replace with ONFONF for female to female PTC or with ONMONF for male to female PTC