

PRODUCT SPECIFICATION: PTCONxONF20G

Wideband Type N Gas Discharge Tube Lightning Arrestor



PART NUMBER

PTCONxONF20G

MOUNTING NUT SIDE CONNECTOR

Type N male or Type N female

FLANGE SIDE CONNECTOR

Type N female

FEATURES:

- Frequency to 12.5 GHz
- Superior RF Performance
- Multiple Strike Capability
- 20 kA Surge Protection
- Rugged and Waterproof
- Bi-directional Protection
- RoHS Compliant
- Excellent performance against Lightning, Static [ESD], and all types of EMP Energy

RF Specifications

Nominal Impedance	50Ω
RF Power	100W (freq dependent)
Through Current	65Vdc / 5A

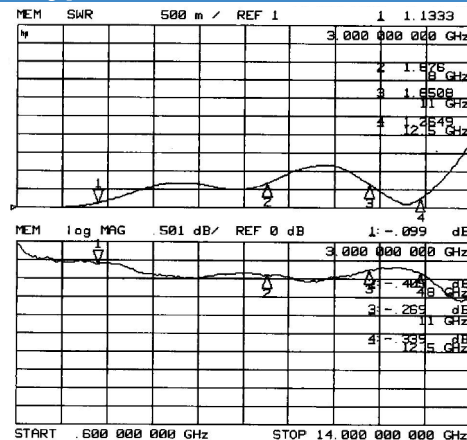
Transient Specifications

Protection Voltage	200V
Maximum Transient	20kA (8x20μs)
Multiple Strike	5kA x10 (8x20μs)
Let-through	475Vpk / 300μJ <i>(Input: 4kV 1.2x50μs/ 2kA 8x20μs)</i>

Frequency (GHz)	VSWR (Average)	Insertion Loss dB (typ)
-----------------	----------------	-------------------------

DC – 3.0	1.2	0.15
3.0 – 8.0	1.8	0.6
8.0 – 12.5	2.1	0.6

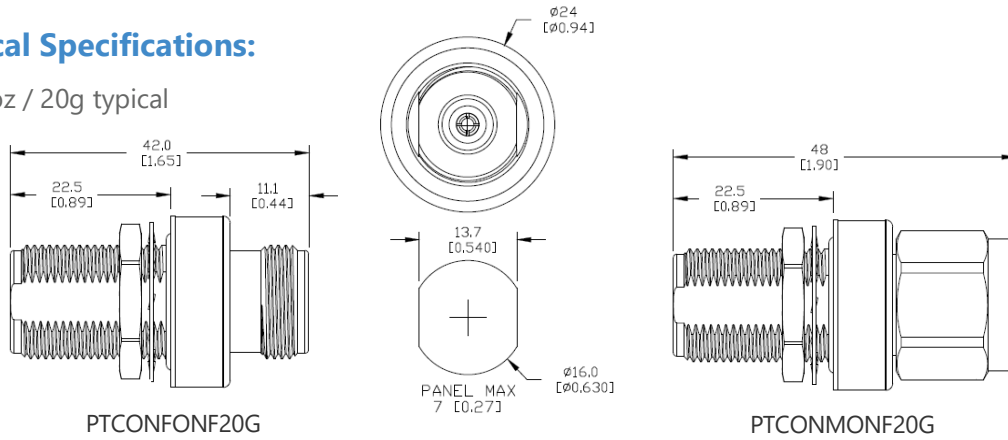
Typical VSWR & Insertion Loss



PRODUCT SPECIFICATION: PTCONxONF20G

Mechanical Specifications:

Weight: .7oz / 20g typical



PTCONFONF20G

PTCONMONF20G

Material & Finish

Component	Material	Finish
Outer Parts	Brass	Nickel
Contacts	BeCu or Brass	Gold
Connectors	Brass	Gold
Insulator	PTFE	-
Gasket	Silicone	-

Environmental Specifications

Temperature Range	-40oC to +90oC
Salt Fog	MIL-STD-202 Method 101D / Condition B (35oC/96 hrs)
Immersion	MIL-STD-202 Method 104A / Condition A (65oC to 25oC w/NaCl – 2 cycles)
Moisture Resistance	MIL-STD-202 Method 106E (65 oC/98% RH condensing/240 hrs)
Temperature Shock	MIL-STD-202 Method 107D / Condition B-1 (25 cycles -65oC to +125oC)
Life (Elevated Temperature)	MIL-STD-202 Method 108A / Condition A (96 hours at 100oC)
Dust & Waterproof Rating	IEC529 IP68 (dust-tight and water proof 24 hrs / 1 m)
Vibration	MIL-STD-202 Method 204D / Condition D (10Hz-2kHz 0.06"DA/20g)
Mechanical Shock	MIL-STD-202 Method 213 / Condition A (50g/11ms ~24")