

Gas Discharge Tube Arrestor with TNC to MMCX connectors



- ✦ Frequency to 6 GHz
- ✦ Superior RF Performance
- ✦ Extremely Compact
- ✦ Multiple Strike Capability
- ✦ 3 kA Surge Protection
- ✦ Rugged and Waterproof
- ✦ Bi-directional Protection

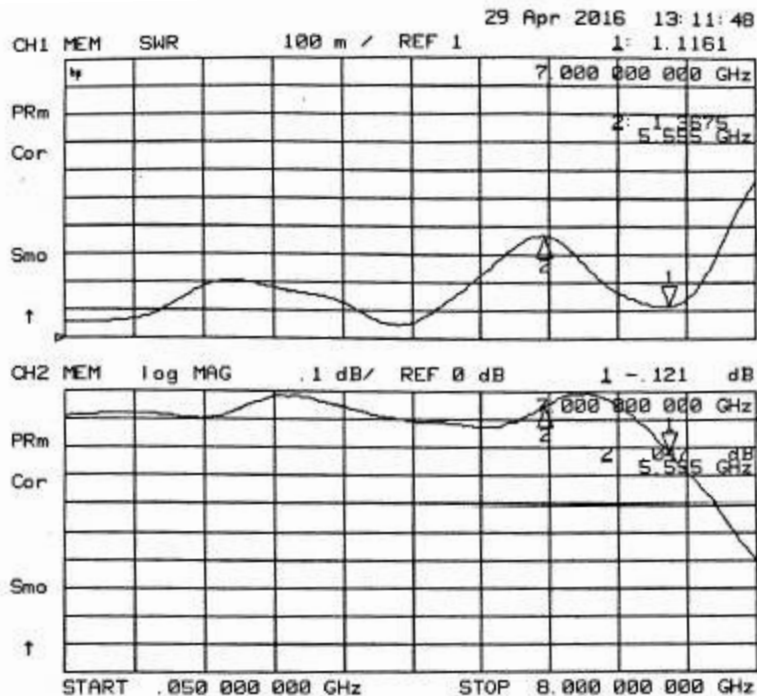
RF Specifications

- ✦ Nominal Impedance: 50Ω
- ✦ RF Power: See Protection Voltage Table on Next Page
- ✦ Through Current: ±58 Vdc / 2.5A Maximum

Transient Specifications

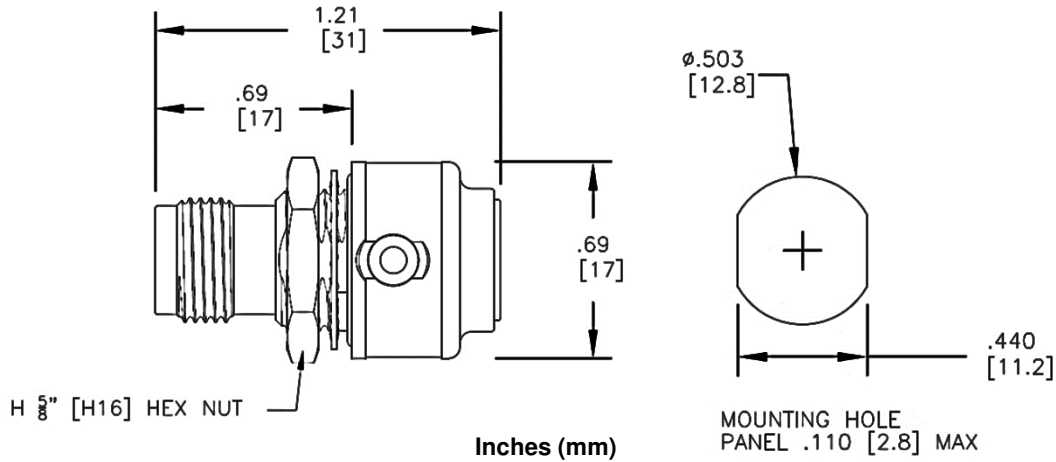
- ✦ Protection Voltage: 90, 150, or 230V
- ✦ Maximum Transient: 3 kA (8x20μs)
- ✦ Multiple Strike: 2kA 10 times
- ✦ Let-through: See Protection Voltage Table (Input 4kV 1.2x50μs / 2kA 8x20μs)

Frequency (GHz)	VSWR (avg)	Insertion Loss, dB (typ)
Dc – 3.0	1.2	0.1
3.0 – 6.0	1.3	0.3



Typical VSWR and Insertion Loss

Mechanical Specifications



✦ Weight: 1.0 ounces typ / 28g typ

Environmental Specifications

Temperature Range	-55°C to +85°C
Salt Fog	MIL-STD-202 Method 101D / Condition A (35°C/96 hrs)
Immersion	MIL-STD-202 Method 104A / Condition A (65°C to 25°C w/NaCl – 2 cycles)
Moisture Resistance	MIL-STD-202 Method 106E (65 °C/98% RH condensing/240 hrs)
Temperature Shock	MIL-STD-202 Method 107D / Condition A-1 (25 cycles -55°C to +125°C)
Life (Elevated Temperature)	MIL-STD-202 Method 108A / Condition A (96 hours at 100°C)
Dust and Waterproof Rating	IEC529 IP68 (dust-tight and water proof 24 hrs / 1 m) – When Mated
Vibration	MIL-STD-202 Method 204D / Condition D (10Hz-2kHz 0.06"DA/20g)
Mechanical Shock	MIL-STD-202 Method 213 / Condition A (50g/11ms ~24")

Material and Finish

Component	Material	Finish
Main Body, Outer Contact, Hex Nut	Brass	Nickel
Inner and Outer Contact	BeCu	Gold
Insulator	PTFE	-
Gasket	Silicone	-
Lockwasher	St. Steel	Passivated

Protection Voltage

Protection Voltage	Voltage Code	RF Power (W)	Let-through (Vpk / mJ)
90	09	37	650 / 0.3
150	15	95	700 / 0.3
230	23	240	800 / 0.5

Part Number

Part Number	Mounting Nut Side Connector	Flange Side Connector	Voltage Rating = xx
PTCTNFMMFxxS	TNC Female	MMCX Female	09 for 90V 15 for 150V 23 for 230V