

### What to Look For?:

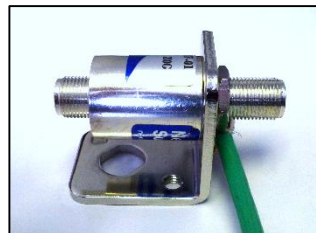
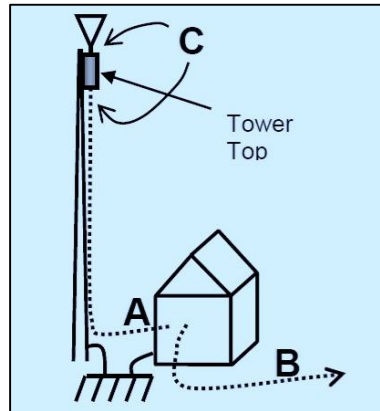
- Existing Requirements – Coaxial Surge or Lightning Arrestors
- Any coaxial cable or radio antenna outside
- Equipment or People to Protect

### Why NexTek?:

- ✓ High Performance Designs
- ✓ Robust Surge Ratings
- ✓ Excellent RF Performance
- ✓ Compact & Unique Designs Available
- ✓ High Quality, Assembled in the USA
- ✓ Wide Array of Solutions, for Any Application

### Markets and Applications:

- Telecom and Wireless Installations
- SCADA/Industrial Monitoring and Control
- Fixed and Mobile Military Applications
- GPS/Timing Installations
- Aerospace
- Energy and Natural Resources
- Cable TV, CCTV, Satellite TV



### Selection Questions

Questions to determine appropriate Arrestor and P/N

#### Frequency of Radio Operation? [MHz, GHz]

- Standard Units Covering DC(0) to 18GHz

#### RF Power Level?

- In Watts or dBm, units available to cover applications up to 30kW+!

#### Connector Type?

- N, TNC, SMA, 7/16 DIN, F Type, and MMCX connectors are available on standard solutions, others available!

#### DC Pass Required?

- Yes or No, if yes what Current and Voltage? [Both Types Available!]

#### Surge Threat or Requirement?

- Examples: Lightning, ESD, HEMP, IEC, MIL-STD, DO-160, and others!

#### Required Response/Protection Level?

- Protection Requirements, and whether there are Residual Voltage or Current Limits given?

### CONTACT INFORMATION

[sales@nextek.com](mailto:sales@nextek.com)  
[nextek.com](http://nextek.com)  
 978-486-0582

Customer Service - Sharon Brown (x12)  
 Technical Sales - Charlie DiFronzo(x13)

[sbrown@nextek.com](mailto:sbrown@nextek.com)  
[cdifronzo@nextek.com](mailto:cdifronzo@nextek.com)