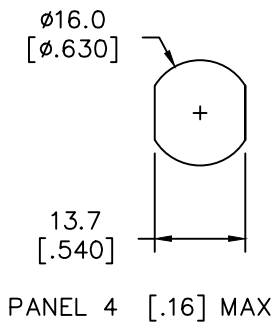
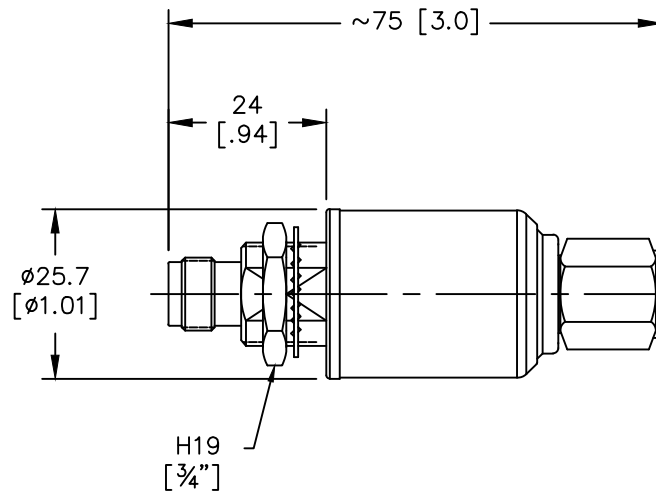


PROPRIETARY THIS DRAWING AND DESIGNS DEPICTED ARE THE PROPERTY OF NexTek Inc. AND MAY NOT BE REPRODUCED, COPIED OR UTILIZED WITHOUT EXPRESS WRITTEN PERMISSION OF NexTek Inc. COPYRIGHT NexTek Inc.

REV	ECO	DESCRIPTION	DRAFT	DATE	APPROVED
00	2125	INITIAL RELEASE	SCP	4/11/11	GK

NexTek P/N: QSS TFTM BK 00

CONNECTORS: TNC(F) BULKHEAD to TNC(M)  
 FREQ RANGE: 435 TO 470 MHz  
 INSERTION LOSS: 0.05 TYP/ 0.10 MAX  
 VSWR: 1.05 TYP/ 1.15 MAX  
 RETURN LOSS: 32.3 dB TYP/ 23.1 dB MIN  
 RF POWER: 500Wcw / 2kWpk  
 TRANSIENT: 40kA 1x / 25kA 10x (8x20μs)  
 LET THROUGH: 50Vpeak / 230μJ  
 (6kV/3kA into 50Ω)



DIMENSIONS IN [ ] ARE INCHES

MATERIAL:	DRAWN: SCP	DATE: 12/29/10	DO NOT SCALE	DEFAULT TOLERANCES	TITLE
FINISH:	RELEASED: G.KAUFFMAN	DATE: 4/11/11	MACH. SURFACES $\sqrt{8}$	X=±0.2	OUTLINE, QSS TFTM XX
	THIRD ANGLE PROJECTION		0.07TIR	X.X=±0.1	SIZE
			DEBURR AND BREAK ALL SHARP EDGES	X.XX=±0.05	DRAWING NO.
			ACAD 2000 FILE: 785-0117 R00	X'=±2"	A 785-0117
				DIMENSIONS IN MILLIMETERS	REV
					00
				SCALE: 1=1	WT
					SHEET 1 OF 1

NexTek Inc. Westford, Massachusetts 01886 www.nexteklightning.com