

N to N Quarter Wave Lightning Protector
0.82GHz to 2.2GHz



Features:

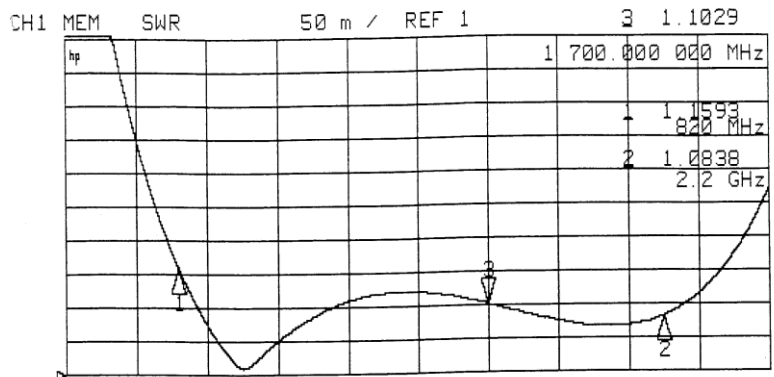
- ✦ Low VSWR
- ✦ Low Insertion Loss
- ✦ 60kA Surge Protection
- ✦ Bi-directional Protection
- ✦ Rugged and Weatherproof

RF Specifications

- ✦ Nominal Impedance 50Ω

Frequency (GHz)	VSWR typ / max	Loss (dB) typ / max
0.82 – 2.20	1.05 / 1.15	0.05 / 0.10

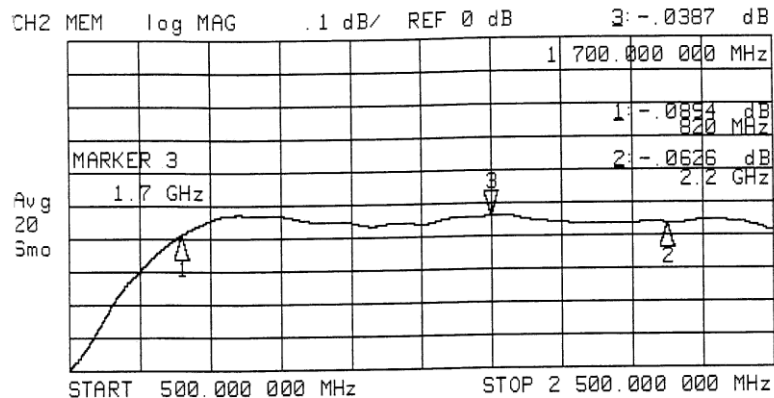
- ✦ Return Loss (dB typ/min): 32.3/23.1
- ✦ RF Power: 1.2kW_{avg}/4kW_{pk}
- ✦ PIM 3: -160dBc typ(2X43dBm)



Transient Specifications

(1.2X50μs Voltage / 8X20μs Current waveform)

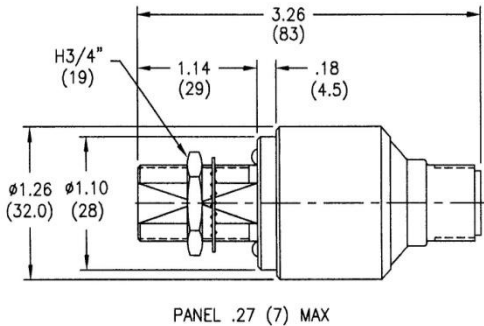
- ✦ Maximum Transient: 60kA_{pk}
- ✦ Let Through (V_{peak}/μJ): 12V/15μJ
Input: 6kV/3kA Output: into 50Ω



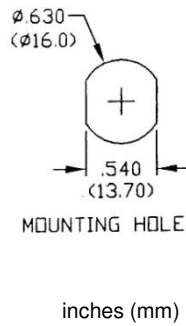
Typical VSWR and Insertion Loss

Mechanical Specifications

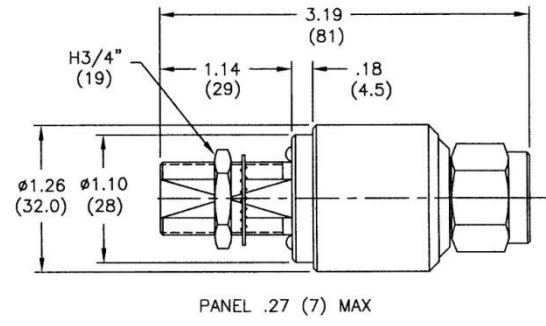
- ✦ Mounting/Grounding: ϕ .625 (15.9) bulkhead mount with environmental gasket. Grounding can also be via a bracket (PN: 750-0088-01) or wire lug to the bulkhead connector.
- ✦ Weight: 0.4 pounds typ / 180 g typ



QSS NFNF 03 00



inches (mm)



QSS NFXM 03 00

Material and Finish

Component	Material	Finish
Outer Parts	Brass	Guardplate™
Center Contact	BeCu	Gold
Insulator	PTFE	-
Gasket	SI Rubber	-

Guardplate™ is an alloy finish with the PIM and conductivity of Silver and the durability and anti-tarnish properties of Nickel.

Environmental Specifications

Temperature Range	-40°C to +90°C
Salt Fog	MIL-STD-202 Method 101D / Condition B (35°C/96 hrs)
Immersion	MIL-STD-202 Method 104A / Condition A (65°C to 25°C w/NaCl – 2 cycles)
Moisture Resistance	MIL-STD-202 Method 106E (65°C/98% RH condensing/240 hrs)
Temperature Shock	MIL-STD-202 Method 107D / Condition B-1 (25 cycles -65°C to +125°C)
Life (Elevated Temperature)	MIL-STD-202 Method 108A / Condition A (96 hours at 100°C)
Dust and Waterproof Rating	IEC529 IP68 (dust-tight and water proof 24 hrs / 1 m)
Vibration	MIL-STD-202 Method 204D / Condition D (10Hz-2kHz 0.06"DA/20g)
Mechanical Shock	MIL-STD-202 Method 213 / Condition A (50g/11ms ~24")

Part Number

